

Modelling of Thermal Stresses in Printed Circuit Boards

OLDŘICH ŠUBA, LIBUŠE SÝKOROVÁ, ŠTĚPÁN ŠANDA, MICHAL STANĚK

Department of Production Engineering
Tomas Bata University in Zlin, Faculty of Technology,
nám. T.G.Masaryka 5555, 760 01 Zlin, Czech republic
CZECH REPUBLIC
suba@ft.utb.cz http://www.ft.utb.cz

Abstract: Results of FEM modelling of thermal stress analysis in printed circuit boards are given in the article. It is shown that thermal stress alone is not solely caused by differences in coefficients of thermal expansion of individual layers. The emergence of thermal stress is subject to both the layered structure of the wall and given boundary conditions, as well as the existence of a temperature gradient in the direction normal to the surface of the wall. A practical application focuses on the issue of recycling of PCB with the effort to achieve separation of layers due to thermal stress. Role modelling of thermal stress in this area lies in predicting the possibility of separation, depending on the type of thermal stress and material parameters.

Key-Words: Thermal Stress, Printed Circuit Boards, FEM Analysis

1 Introduction

Layered, i.e. non-homogenous walls of boards and shells respectively, unlike homogenous (one-layer) walls, are characterized by the emergence of thermal stress at any change of temperature towards the base - referential state which we consider to be stress-free. Usually it is considered that the formation of thermal stress in layered walls is subject to different values of thermal expansion of individual layers [1]. In fact, apart from the difference in thermal expansion coefficients an instant value of the gradient of generally transient temperature field takes part in the formation of thermal stress. The resulting stress is also influenced by the given boundary conditions to which the wall is exposed during the thermal load. Usually, deformation of the membrane type is not prevented, i.e. in the central plane of the wall. In many cases, the bending-torsional deformation of the wall is prevented, whether because of gripping the edges or due to the influence of the thin-walled element geometry. In case of completely free planar wall – board, the general bending deformations and the respective stress components are formed there (except for cases in which the symmetry structure of the wall to the middle plane occurs).

2 Thermal stress due to differences in thermal expansion of layers

Share of different thermal expansion coefficients of individual layers on thermal stress of the given layered structure can be identified only when the layered board is exposed to a temperature change of the heating type. Influence of the temperature gradient is thus excluded. Let the double-layered wall be exposed to the temperature change from the output (reference) state, which is assumed to be stress-free. If both layers were mutually separated, the relative length change of each of them would be the same in all directions, assuming isotropy of the properties of both layers:

$$\varepsilon_k^T = \alpha_k \Delta T \quad , \quad k = 1, 2 \quad , \quad \Delta T = T - T_m \quad ,$$

As shown in Figure 1, the difference of thermal expansion of layers is balanced out by their elastic deformation. During heating or cooling respectively of ΔT , the wall shows outwards (membrane deformations are not prevented) some macroscopic membrane deformation ε^T . Let's imagine (without limiting the generality of the task) that ΔT is positive, i.e. it is heating, and $\alpha_2 > \alpha_1$. The layer 2 (plastic composite) is then compressed, the layer 1 (Cu-conductive path) is expanded – see Fig.1. Membrane deformations of the board are free, so that membrane forces in the wall sections are zero. It applies to the following relationship:

$$\sum_{k=1}^2 s_k \sigma_{ki}^T = 0 \quad , \quad i = x, z. \quad (1)$$

Stress in each layer is equibiaxial, assuming isotropy of the layers, so the index and the axis of

the coordinate system in the plane of the wall can be omitted. Deformations in both layers are equal to ε^T and are given by the algebraic sum of thermal expansion and elastic deformation as follows:

$$\varepsilon^T = \varepsilon_k + \varepsilon_k^T. \quad (2)$$

Equation of elasticity for the k-th layer can be written in the following form

$$\varepsilon_k = \frac{1}{E_k} (\sigma_k^T - \nu_k \sigma_k^T) = \frac{\sigma_k^T}{E_k^*}. \quad (3)$$

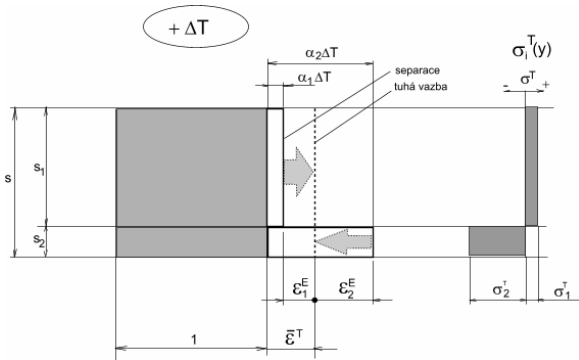


Fig.1 Thermomechanical behaviour of the two-layer board at tempering change of temperature

Substituting (3) to (2) results in

$$\varepsilon^T = \frac{\sigma_k^T}{E_k^*} + \alpha_k \Delta T.$$

If we derive σ_k^T and then substitute it into equilibrium equation (1), we get the following relation for the effective expansion of the wall

$$\varepsilon^T = \frac{\sum_{k=1}^2 E_k^* s_k \alpha_k}{\sum_{k=1}^2 E_k^* s_k} \Delta T = \alpha \Delta T$$

The values of thermal stress are then

$$\sigma_k^T = E_k^* \Delta T (\alpha - \alpha_k) \quad , \quad k = 1, 2. \quad (4)$$

Relation (4) does not apply in areas of free edges of the double-layer wall. Here, it is necessary to solve the relevant boundary task. Stress is sustained in the sense of linear elasticity if a change of temperature condition still exists. In fact, it is subject to relaxation due to viscoelastic behaviour of the polymer layer.

3 Stress due to the temperature gradient

Now consider generally layered wall, i.e. a wall with generally varying properties along its thickness, exposed to thermal effects with random thermal profile $\Delta T(y)$ corresponding to a certain moment of transient heat transfer through the wall – Fig.2.

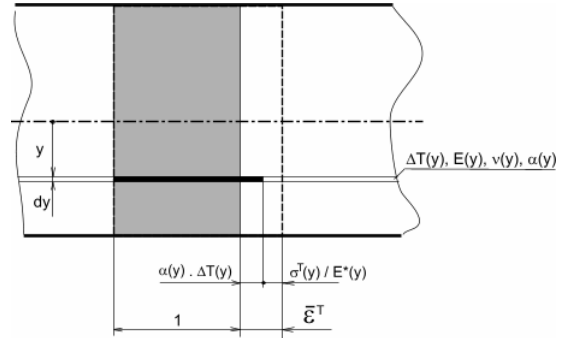


Fig. 2 Generally layered wall

Not only the elastic constants but also the coefficient of linear thermal expansion generally changes both discontinuously at the layer interface and continuously within each layer due to possible dependences of constants on temperature.

This task can be seen as a wall imaginary composed of an infinite number of layers of elementary thickness dy ; each layer has its own values of elastic constants and thermal expansion coefficient. The value $\Delta T(y)$ expresses the difference between the real temperature at place y and the reference temperature of the wall, i.e. temperature at which zero stress of the wall is assumed.

Let the wall be gripped again in a way which prevents its warpage but allows membrane deformations, i.e. deformations in the directions of the reference surface are possible. The resulting membrane forces in the wall sections then equal to zero, so that

$$\int_{(s)} \sigma^T(y) dy = 0. \quad (5)$$

Unless there is warpage of the wall, the sum of thermal expansion and elastic deformation, which is in each imaginary layer dy constant, equals to ε^T . Considering that this is an equibiaxial stress, so that

$$\varepsilon^T = \frac{\sigma^T(y)}{E^*(y)} + \alpha(y) \Delta T(y)$$

where $E^* = E / (1 - \nu)$.

When using (5), the final uniaxial wall deformation can be expressed by the following relation

$$\varepsilon^T = \frac{\int_{(s)} E^*(y) \alpha(y) \Delta T(y) dy}{\int_{(s)} E^*(y) dy}.$$

Thus equibiaxial thermal stress in the area of coordinate y will be

$$\sigma^T(y) = E^*(y) [\varepsilon^T - \alpha(y) \Delta T(y)] \quad (6)$$

Like the relation (4) the expression (6) does not apply in areas of free edges of the double-layer wall, where the boundary stress-tops form, especially those of shear stress components at the layers interface. Unlike (4), stress given by the relation (6) is transient (time dependent) in cases of time-variable temperature field. After disappearance of the temperature gradient, stress also disappears.

4. FEM modelling of the thermal stress of PCB layers

In recent years the development of consumer electronics has brought the necessity of electrical waste recycling due to falling prices of electronics, and thus its massive consumption, and also a decrease of its lifetime. Although the formation of thermal stress can be generally regarded as a negative phenomenon in terms of utility properties of plastic and composite products, in practice there are cases in which thermal stress is formed deliberately. This is the case of printed circuit boards recycling; the aim is to break the interface and thus separate individual layers with the use of thermal stress [2]. The role of thermal stress modelling in this area lies in predicting the possibility of separation in dependence on the type of thermal stress and material parameters of the layers.

FEM modelling of transient thermal stress states runs in two stages. Firstly, the appropriate thermal boundary conditions of the board are set and the instantaneous profiles of the temperature field are calculated in the chosen time steps. Time-variable thermal boundary conditions are entered via so-called time-curves. Secondly, the appropriate mechanical boundary conditions are set and the instantaneous values of transient thermal stress components are calculated for the chosen time frames of the course of the temperature in the board. Whereas the mechanical and thermal parameters of the material layer 1 (Cu) can be considered to be temperature-independent in calculation, the layer of polymer composite 2 shows strong temperature

dependences of physical properties on temperature, especially that of the modulus of elasticity. Therefore these dependencies were generalized by appropriate temperature curves in calculation. Thus the composite layer becomes quasi-layered during pull of the temperature gradient on its thickness; it means that the individual equidistant planes, respectively imaginary layers of elementary thickness, show different values of thermoelastic properties at the given instant of time.

Time curve of the chosen model of thermal process is shown in Fig.3. The PCB board is heated to the temperature of 200°C. By the immersion into brine of the temperature of -10°C the surface is rapidly cooled to this temperature in the time interval of 1 – 2 seconds. Then the board remains in the bath until the disappearance of the thermal gradient, i.e. until the temperature fully reaches the value of -10°C.

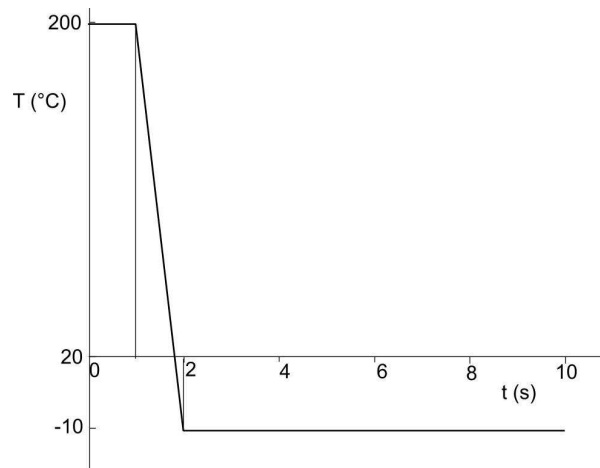


Fig.3 Time curve of the temperature on the PCB surface for modelling of rapid, i.e. non-homogenous, cooling.

After the analysis of the time-variable temperature field the results of chosen time moments are used for the analysis of thermal stress. Values of biaxial normal stress in individual layers according to (4) or (6) respectively do not themselves affect the separation of the layers. It depends on the existence of peaks of shear components on the edges of layers at their interface directly proportional to normal thermal stress. Type of course of shear stress at the layers interface is shown in Fig.4. In a certain instant of time stress reaches its maximal value at the edge of the layer 1 (Cu). Stress extends in direction from the edge to the distant L_0 , which is the same order of magnitude with the thickness of polymer layer (2). If the

maximal value of shear stress at the interface reaches the limit value – shear strength of interface, the separation begins. The resulting course of time dependence τ_{MAX} from the beginning of the board cooling is shown in Fig.5. As can be seen, in process of rapid, i.e. non-homogenous, cooling there is the instant of time t_{max} in which the peak of shear stress reaches its maximal value.

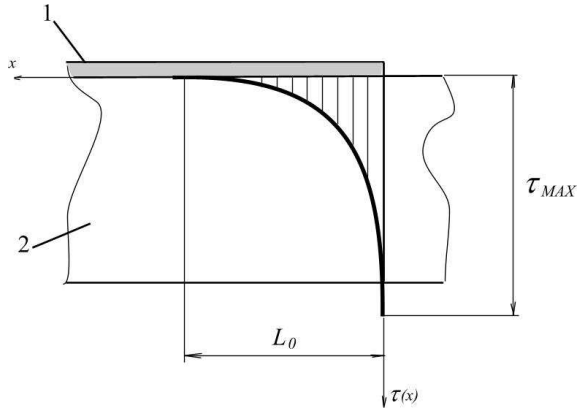


Fig.4
Dependence of shear stress at distance x from the edge of the layer 1 (Cu)

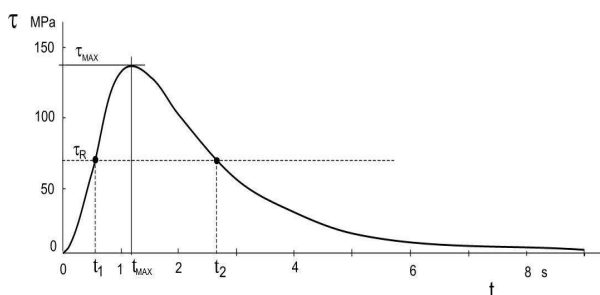


Fig. 5
Time course of boundary maximal shear stress at the layers interface

Since the beginning of cooling the values are increasing to this value and after reaching it they decrease to the zero value when the temperatures in the board evened out. The separation process can be characterized as follows: separation begins after rising of τ_{MAX} to the value of shear strength at the

interface τ_R – instant of time t_1 .

The edge of Cu layer starts to peel, whereas the edge of layers joints moves in direction of separation and has a value τ_{MAX} variable in time. The process of peeling of Cu layer stops in time corresponding to decrease of τ_{MAX} to the value τ_R in time t_2 .

4 Conclusion

Role modelling of thermal stress in this area lies in predicting the possibility of separation, depending on the type of thermal stress and material parameters. A practical application focuses on the issue of recycling of PCB boards with the effort to achieve separation of layers due to thermal stress.

Acknowledgement:

This article is financially supported by the Ministry of Education, Youth and Sports of the Czech Republic under the Research Plan No. MSM 7088352102 and by the European Regional Development Fund under the project CEBIA-Tech No. CZ.1.05/2.1.00/03.0089.

References:

- [1] BÍLEK, O., LUKOVICS, I., Determination of the Residual Stress through the Thickness of Plastics and Metallic Parts, *Manufacturing Technology, J. for Science, Res. and Production*. vol VI, No.12, 2006, , pp. 12-16.
- [2] Janáčková, D., Kolomazník, K., Vašek, V., Mokrejš, P.: Separation of Printed Circuit Board by Temperature Shock, *WSEAS World Science and Engineering Academy and Science, The 5th WSEAS Conference on Heat Transfer, Thermal Engineering and Environment HTE'07*, Athens, 2007, pp.268-271.